



CREATE + BUILD + INSPIRE

CONTACT

info@kya.design  
808.949.7770  
Fax 808.946.0334

VISIT

934 Pumehana Street  
Honolulu, Hawaii 96826  
kya.design

## **Bid Addendum 1**

### **Kona Community Hospital 1st Floor SSB HVAC Replacement & Renovations**

---

<b>Addendum No.:</b>	<b>01</b>
<b>Date:</b>	04/17/2026
<b>KYA Project No.:</b>	224003.00
<b>Reason for Addendum:</b>	Revisions to Drawings
<b>Attachments:</b>	Drawings as listed below.

---

This Addendum forms a part of the Contract Documents and modifies the original Issued Bid Drawings dated 04/07/2026 and Specifications dated 03/30/2026 prepared by KYA, Inc. to the extent noted hereinafter.

Careful note of this Addendum shall be taken by all parties of interest so that proper allowance is made in all computations, estimates and contracts and so that all trades affected are fully advised in the performance of work that will be required.

This Addendum supersedes all previous Drawings, Specifications and Instructions pertaining to these items.

NOTICE TO THE GENERAL CONTRACTOR: The items listed below are herewith made a part of the contract and shall govern the work, taking precedence over the previously issued plans and specifications governing the particular items mentioned.

---

**A. Previous Contract Modifications:**

None.

**B. Revisions to Drawings (Addendum 1, Delta 1 Dated 04/17/2026):** The following drawing sheets have been REVISED and shall REPLACE the same drawing sheets previously issued.

1. **Sheet A101:** Added partition type reference numbers to new partitions and wall infills.
2. **Sheet A501:**
  - a. Added partition type with resilient channel.
  - b. Revised detail 1 to delete unneeded backing details and show one type of backing detail for casework.

**C. Revisions to Specifications:** The following Sections have been REVISED and shall REPLACE the same sections previously issued.

None.

---

All other items and conditions shall remain in full effect.

**END OF ADDENDUM**



THIS WORK WAS PREPARED BY ME OR UNDER MY SUPERVISION AND CONSTRUCTION OF THIS PROJECT WILL BE UNDER MY OBSERVATION

*David T. Isumida*

LICENSE EXPIRATION DATE: 04/30/26

### GENERAL NOTES

- EXIT EGRESS SHALL BE IN COMPLIANCE OF CODE DURING CONSTRUCTION; REFER TO SHEET T005 FOR DETAILS
- EXISTING SPACES WITHIN THE LIMITATION OF WORK SHALL BE REFURBISHED WITH NEW FLOORING AND PAINT PER THE ROOM FINISH SCHEDULE
- ALL CONSTRUCTION LUMBER AND SHEATHING SHALL BE PRESSURE FIRE TREATED

### FLOOR PLAN LEGEND

- DIAGONAL HATCHED AREA NOT IN SCOPE
- EXIST. WALL
- EXIST. 1HR FIRE RATED WALLS
- EXIST. DOOR
- EXIST. GLAZING
- EXIST. SINK, COUNTER, AND CASEWORK
- OFOI FURNITURE, CONTRACTOR TO PROVIDE CASEWORK BACKING AT NEW WALL PARTITIONS AT DESKS
- NEW WALL PARTITION
- NEW WALL INFILL
- PARTITION TYPE REFERENCE LETTER, SEE DETAIL 2/A501
- NEW DOOR

### PROJECT



### FIRST FLOOR SSB HVAC REPLACEMENT & RENOVATION

TMK: 7-9-010:081

HAWAII HEALTH SYSTEMS CORPORATION  
79-1019 HAUKAPILA STREET  
KEALAKEKUA HI 96750  
(808) 322-4442

### PROJECT DATE

04.17.26	ADDENDUM 1

### DRAWN BY: CHECKED BY:

DATE: 03/20/2026	EVENT: CD
03/30/2026	BIDDING

### SHEET TITLE

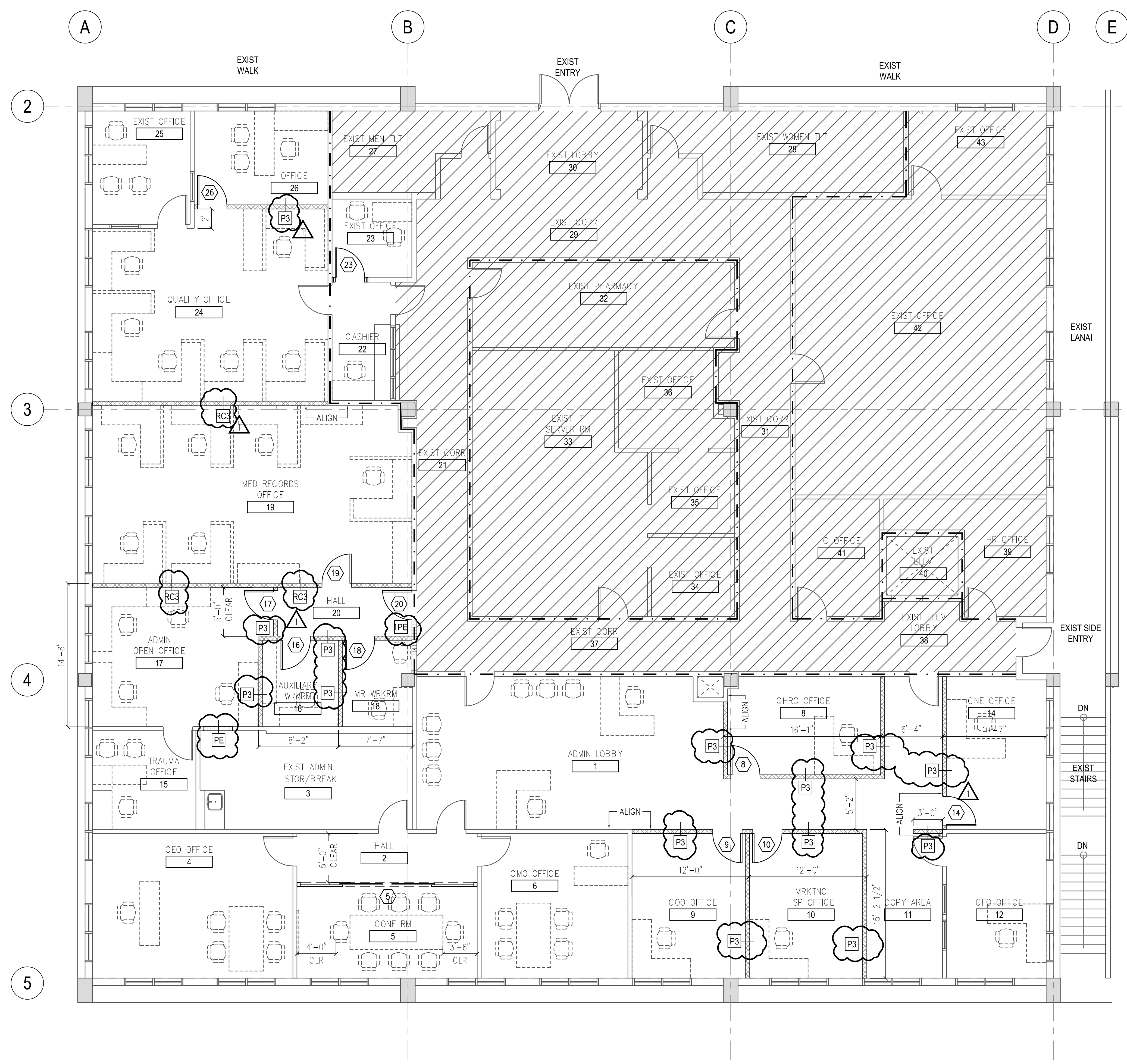
FIRST FLOOR PLAN

### SHEET NO: DRAWING NO:

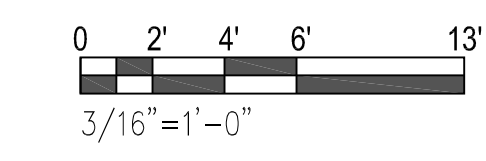
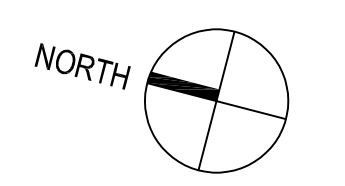
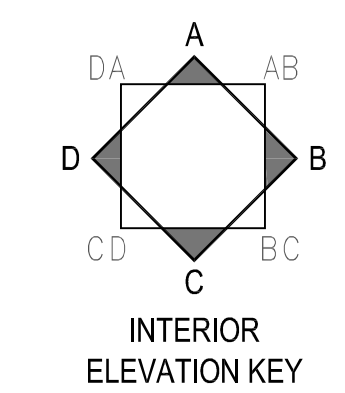
09 OF 26

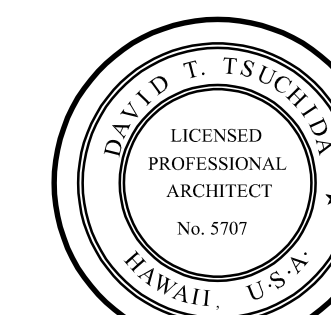
PROJECT NO: 224003.00

# A101



**1 FIRST FLOOR PLAN**  
3/16" = 1'-0"





THIS WORK WAS PREPARED BY ME OR UNDER MY SUPERVISION AND CONSTRUCTION OF THIS PROJECT WILL BE UNDER MY OBSERVATION

*David T. Tsujimoto*

LICENSE EXPIRATION DATE: 04/30/26

PROJECT



FIRST FLOOR SSB HVAC REPLACEMENT & RENOVATION

TMK: 7-9-010:081

HAWAII HEALTH SYSTEMS CORPORATION  
79-1019 HAUKAPILA STREET  
KEALAKEKUA HI 96750  
(808) 322-4442

PROJECT

DATE	ADDENDUM
04.17.26	ADDENDUM 1
△	
△	
△	
△	
△	
△	
△	

DRAWN BY:	CHECKED BY:
DATE: 03/20/2026	EVENT: CD
03/30/2026	BIDDING

SHEET TITLE

TYPICAL PARTITION TYPES AND DOOR DETAILS

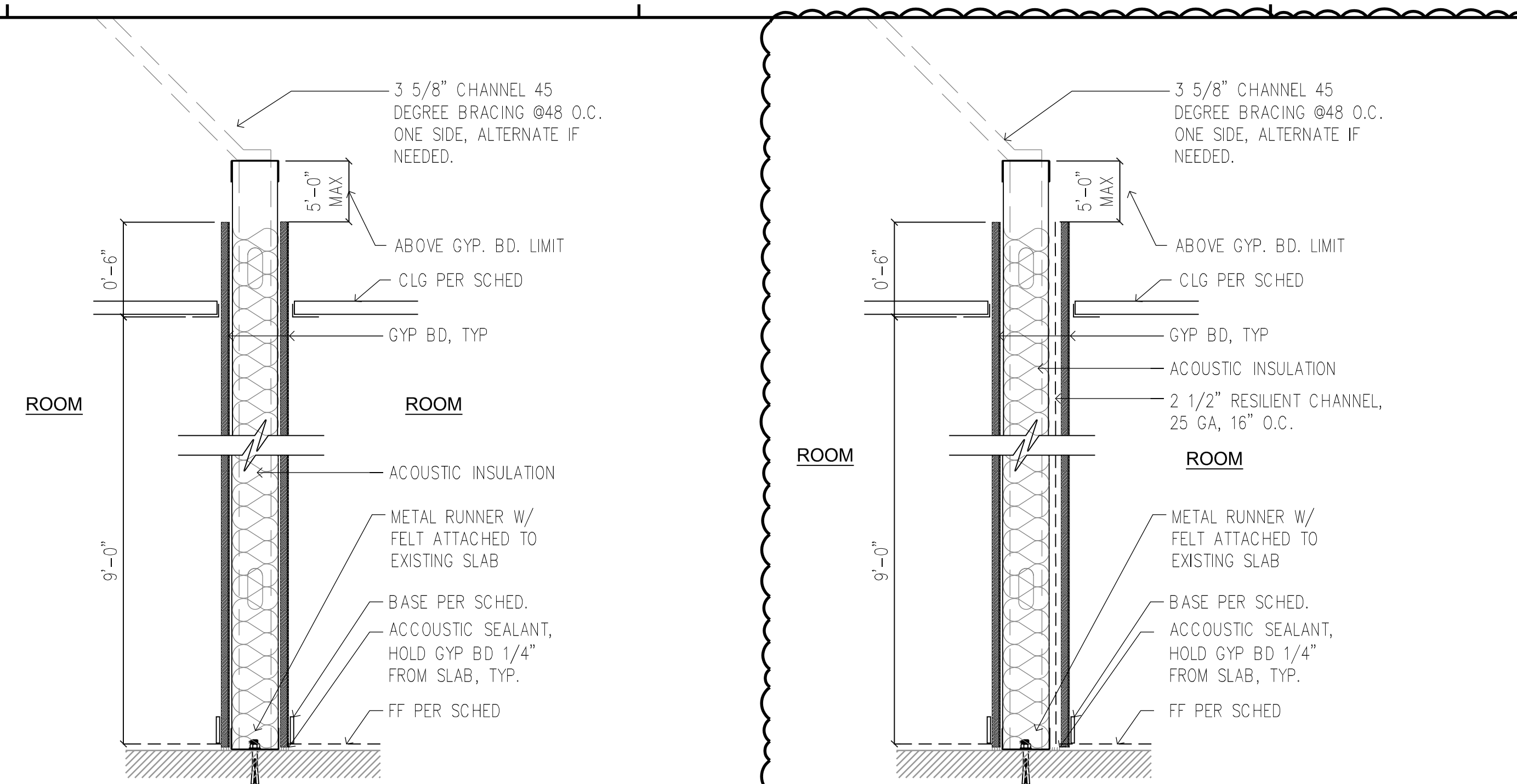
-  
-  
-  
-  
-  
-  
-  
-  
-  
-

SHEET NO: DRAWING NO:

11 OF 26

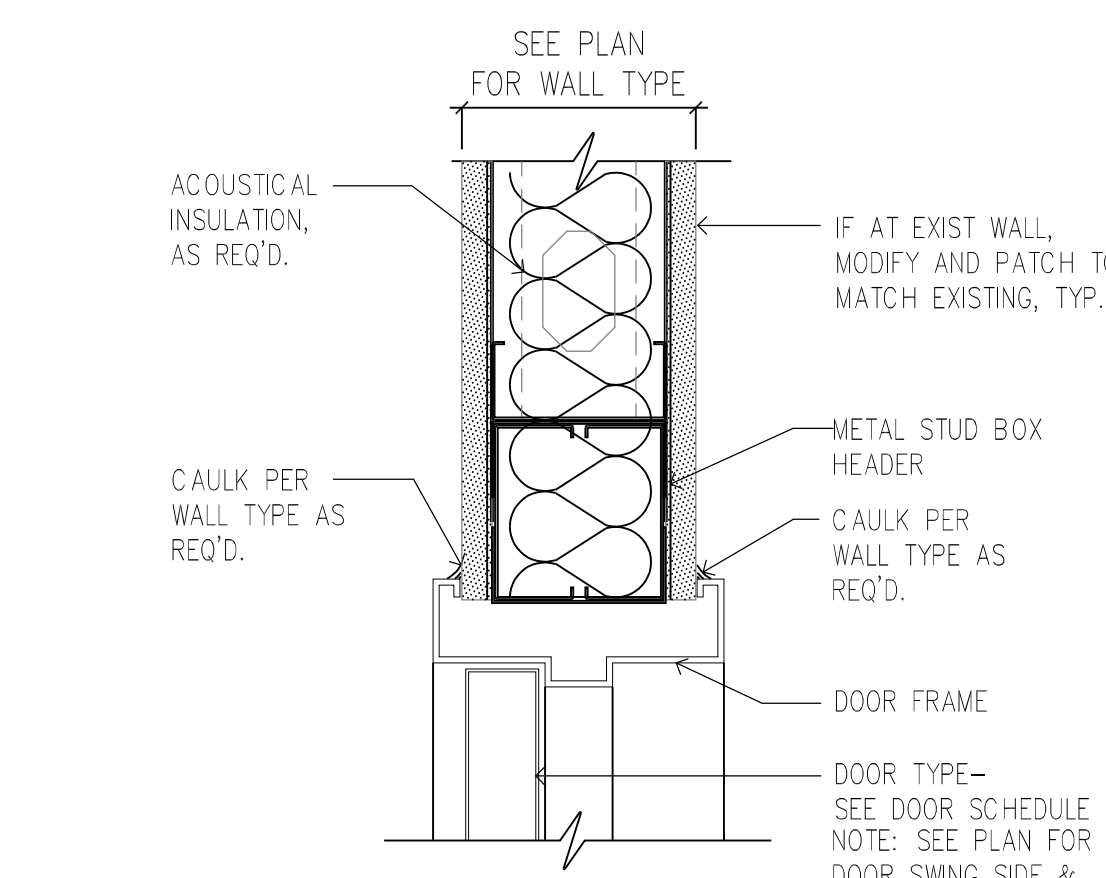
PROJECT NO: 224003.00

# A501



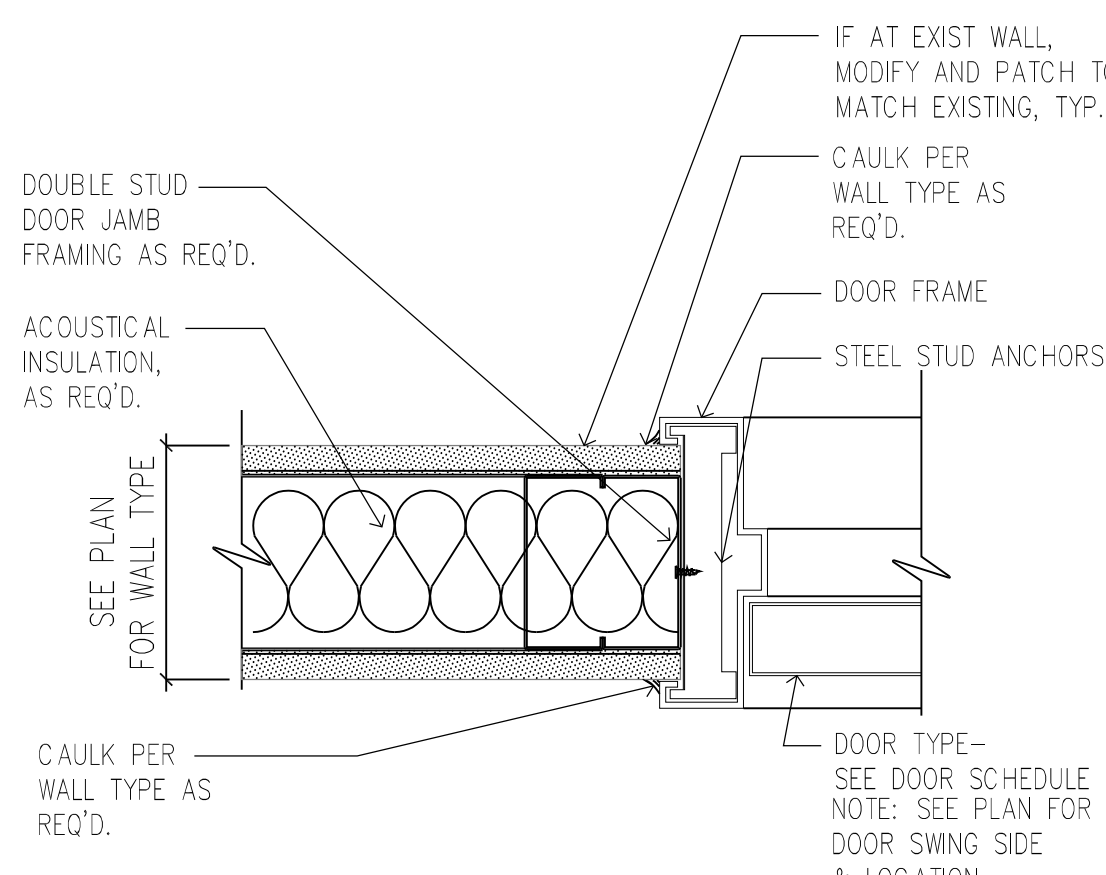
NUMBER	FRAME SIZE	GA	STUD SPACING	GYP BOARD	WALL THICKNESS	STC	RATED	UL NUMBER
P3	3 5/8"	20	16" O.C.	5/8" TYPE 'X'	4 7/8"	40	-	-
1PE	MATCH EXST	MATCH EXST	MATCH EXST	5/8" TYPE 'X'	MATCH EXST	MATCH EXST	MATCH EXST	MATCH EXST
PE	MATCH EXST	MATCH EXST	MATCH EXST	5/8" TYPE 'X'	MATCH EXST	MATCH EXST	-	-

- GENERAL NOTES:
- ALL GYPSUM BOARD IS TYPE 'X', 5/8" THICK UNLESS OTHERWISE NOTED.
  - PROVIDE UL LISTED FIRESTOPPING (OR APPROVED EQUAL) AT ALL RATED THRU-WALL OPENINGS.
  - PROVIDE WATER RESISTANT GWB @ PLUMBING WALLS.
  - PROVIDE IMPACT RESISTANT GWB @ CORRIDORS, & VESTIBULES.
  - PROVIDE ACOUSTIC GWB @ STC WALLS & WHERE SCHEDULED.

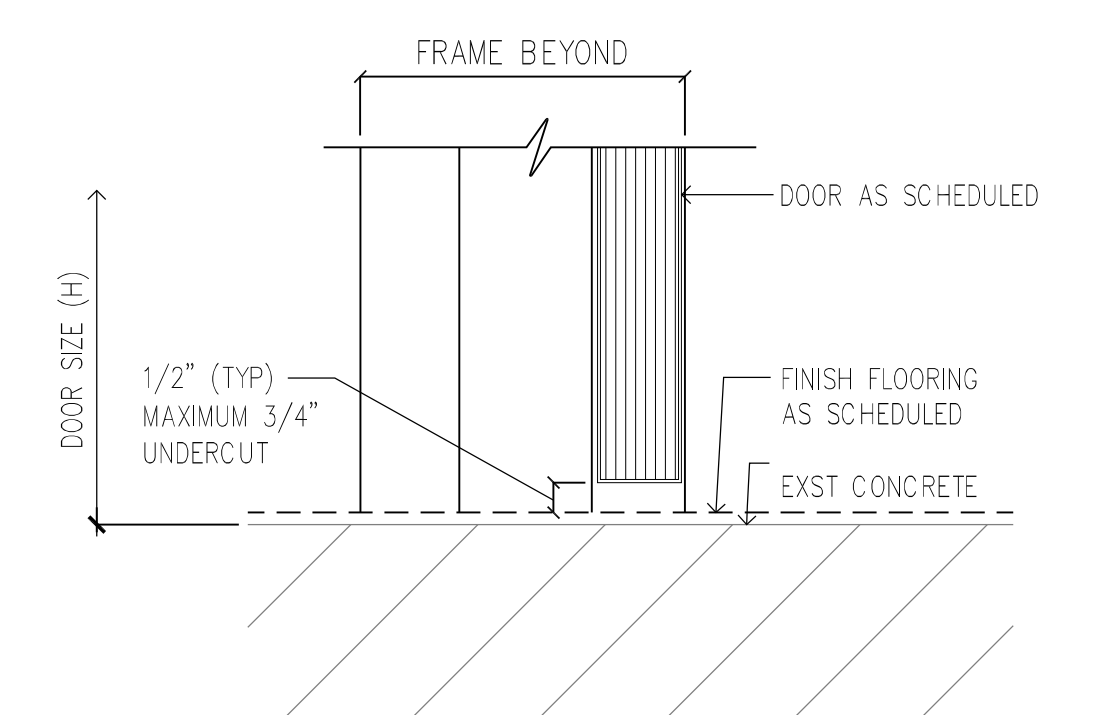


5 TYP. DOOR HEADER DETAIL  
3"=1'-0"

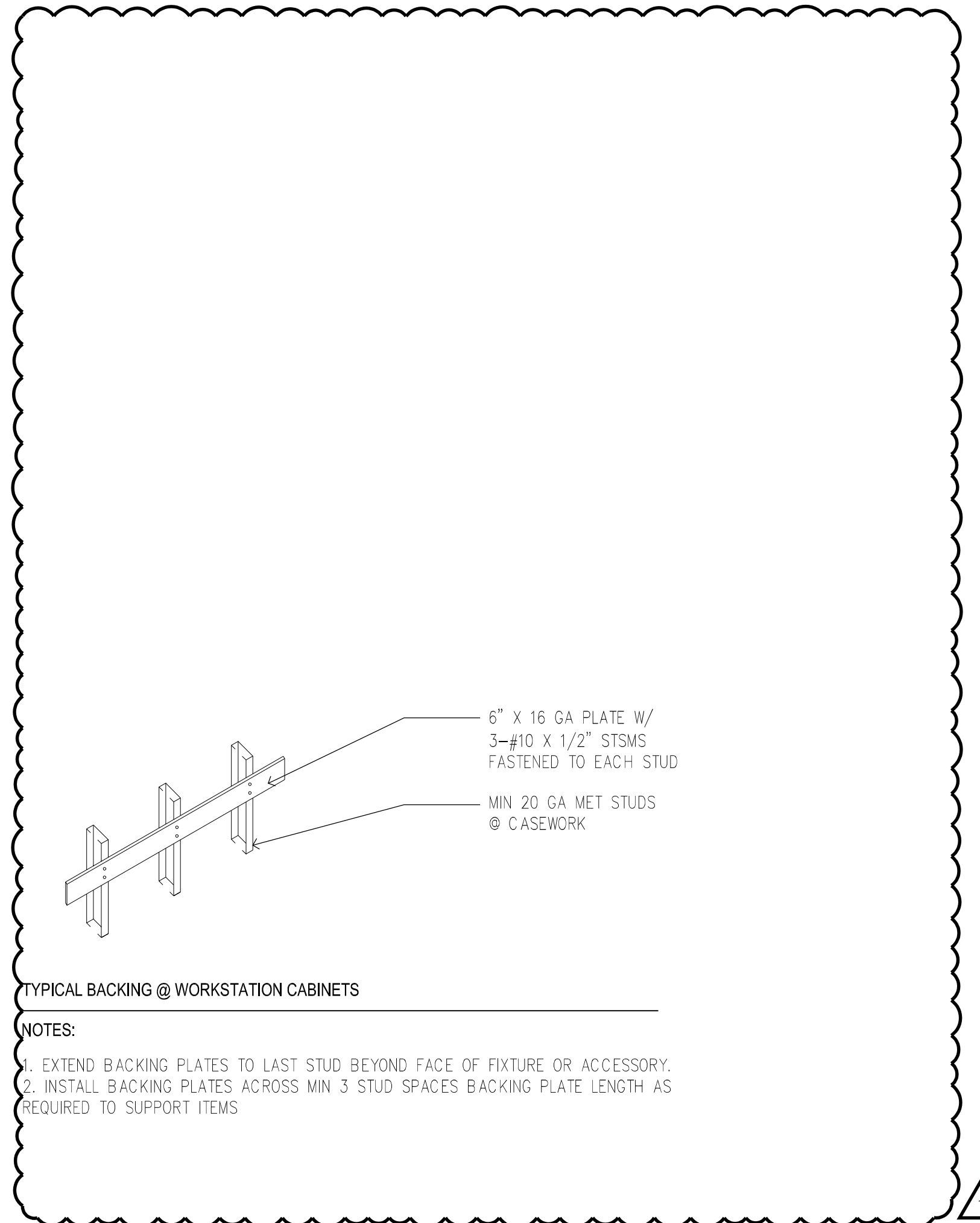
2 TYPICAL ACOUSTICAL CEILING DETAIL  
1 1/2"=1'-0"



4 TYP. DOOR JAMB DETAIL  
3"=1'-0"



3 THRESHOLD DETAIL  
3"=1'-0"



1 BACKING DETAIL  
3"=1'-0"

- TYPICAL BACKING @ WORKSTATION CABINETS
- NOTES:
- EXTEND BACKING PLATES TO LAST STUD BEYOND FACE OF FIXTURE OR ACCESSORY.
  - INSTALL BACKING PLATES ACROSS MIN 3 STUD SPACES BACKING PLATE LENGTH AS REQUIRED TO SUPPORT ITEMS